



Find us locally at [www.dynapac.com](http://www.dynapac.com)

We reserve the right to change specifications without notice. Photos and illustrations do not always show standard versions of machines. The above information is a general description only, all informations are supplied without liability.



## Technical Data

### Sistema de rodillos de empuje

|          |                  |
|----------|------------------|
| Estándar | Fixed, pivotable |
|----------|------------------|

### Tolva de material

|                                       |                          |
|---------------------------------------|--------------------------|
| Altura de descarga (centro/ exterior) | 570 mm /650 mm           |
| Hopper Volume CS Stg.IV               | 7.0 m <sup>3</sup> /14 t |
| Volumen de la tolva                   | 6.5 m <sup>3</sup> /13t  |

### Alimentador

|                                   |  |
|-----------------------------------|--|
| Tipo                              | Cinta de goma montada sobre dos cadenas con refuerzos metálicos. |
| Velocidad de cinta transportadora | Continuamente variable   |
| Ancho                             | 1.200 mm   |

### Engine

|  |                           |
|--|---------------------------|
| Manufacturer /Model (Stage V)              | Cummins B6.7-C225         |
| Model China Stage IV                       | Cummins B6.7 CSIV 228F    |
| After treatment (Stage V & China Stage IV) | DOC + DPF + SCR           |
| Emissions according to                     | EU Stage V/China Stage IV |
| Rated power (Stage V /China Stage IV )     | 168@2200                  |
| Peak power                                 | 186 kW                    |
| DEF tank capacity (Stage V)                | 37 L                      |
| Fuel tank capacity (Stage V)               | 371 L                     |
| Capacidad del tanque de combustible        | 6.50 L/h*                 |
| Manufacturer /Model (Stage IIIA)           | Cummins QSB6.7-C220       |
| Emissions according to                     | EU Stage IIIA             |
| Rated power (Stage IIIA)                   | 164 kW @ 2200 rpm         |
| Peak power                                 | 172 kW                    |
| Fuel tank capacity (Stage IIIA)            | 293 L                     |
| Capacidad del tanque de combustible        | 6.50 L/h*                 |

### Transmisión

|                                |  |
|--------------------------------|--|
| Longitud de la oruga           | 3900 mm  |
| Max. Operationg speed          | 25 m/min                                       |
| Tipo de transmisión            | Independent hydrostatic driven crawler systems |
| Tipo de tren de rodaje         | Crawler  |
| Velocidad máxima de transporte | 4 km/h   |

### Pesos

|      |        |
|------|--------|
| Peso | 21,0 t |
|------|--------|

### Dimensiones

|                              |          |
|------------------------------|----------|
| Longitud total               | 9.250 mm |
| Anchura total                | 2.550 mm |
| Angulo rampa frontal         | 12°      |
| Transport length CS Stage IV | 9.58 m   |

### Feeding

|                        |          |
|------------------------|----------|
| Feeding Capacity       | 4000 t/h |
| Maximum Feeding height | 3.00 m   |
| Minimum Feeding height | 2.10 m   |

### Hydraulic Generator

|                   |                       |
|-------------------|-----------------------|
| Frequency         | 50 Hz                 |
| Generator         | HG6,6W-E400ST54-34-VF |
| Max. Output Power | 6.6 kVA               |
| Output Voltage    | 230/400 V             |

### Spray system

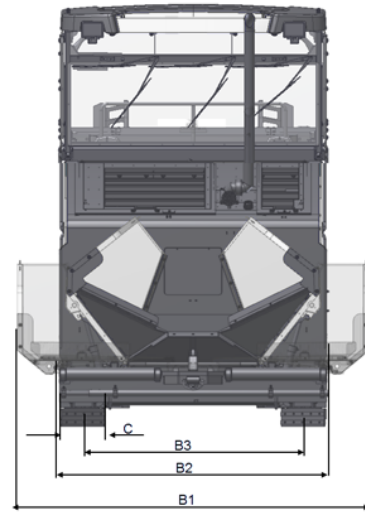
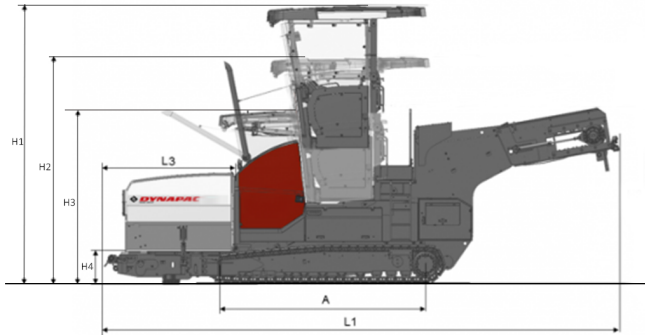
|                                    |                   |
|------------------------------------|-------------------|
| anti-adherent emulsion tank volume | 100 L             |
| Release agent                      | Dynapac Beltguard |

Find us locally at [www.dynapac.com](http://www.dynapac.com)

We reserve the right to change specifications without notice. Photos and illustrations do not always show standard versions of machines. The above information is a general description only, all informations are supplied without liability.

## Alimentadores móviles

### Dimensions



|                                    |        |
|------------------------------------|--------|
| A. Distancia entre ejes            | 3.90 m |
| B1. Ancho, max.                    | 3.35 m |
| B2. Ancho, estandar                | 2.55 m |
| B3. Ancho, al centro de las orugas | 2.09 m |
| C1. Crawler Width                  | 0.32 m |
| H1. Altura, max.                   | 5.02 m |
| H2. Altura                         | 4 m    |
| H3. Height, transport              | 3.10 m |
| H4. Altura de descarga             | 530 mm |
| L1. Longitud                       | 9.25 m |
| L3. Longitud de la tolva           | 2.23 m |

Encuéntrenos localmente en [www.dynapac.es](http://www.dynapac.es)

Nos reservamos el derecho a cambiar las especificaciones sin aviso. Las fotos e ilustraciones no siempre muestran versiones estándar de máquinas. La información anterior es solo una descripción general, toda la información se proporciona sin responsabilidad.